



City of Canal Winchester

36 South High Street
Canal Winchester, Ohio 43110
Development Department
Phone (614) 837-7501 Fax (614) 837-0145

CERTIFICATE OF APPROPRIATENESS APPLICATION

rev. 09/24/2013

PROPERTY OWNER

Name Todd Weiser

Address _____

Daytime Phone 614-296-6307 Email tcweiser619@gmail.com

APPLICANT

Name Associates Title, Inc.

Address 25 East Waterloo St. Canal Winchester

Daytime Phone 614-222-2123 Email patrick@associatestitleinc.com

Address of Subject Property 24 N. High St.

Description of Proposed Changes/Modifications Adding signage to the building

Your Application Must Include the Following, as Applicable:

Scaled drawings
Floor plans
Roofing samples

Sketches
Contractor's plans
Photographs (as necessary to illustrate proposed work)

Material Samples
Paint chips

I certify that the information provided with this application is correct and accurate to the best of my ability.



Property Owner's or Authorize Agent's Signature

7/17/19

Date

DO NOT WRITE BELOW THIS LINE

Date Received: 7/12/19

Date of Action: ___/___/___

Expiration Date: ___/___/___

Tracking Number: CA - 19-032

Historic District: Yes No

Preservation District: ___ Yes No

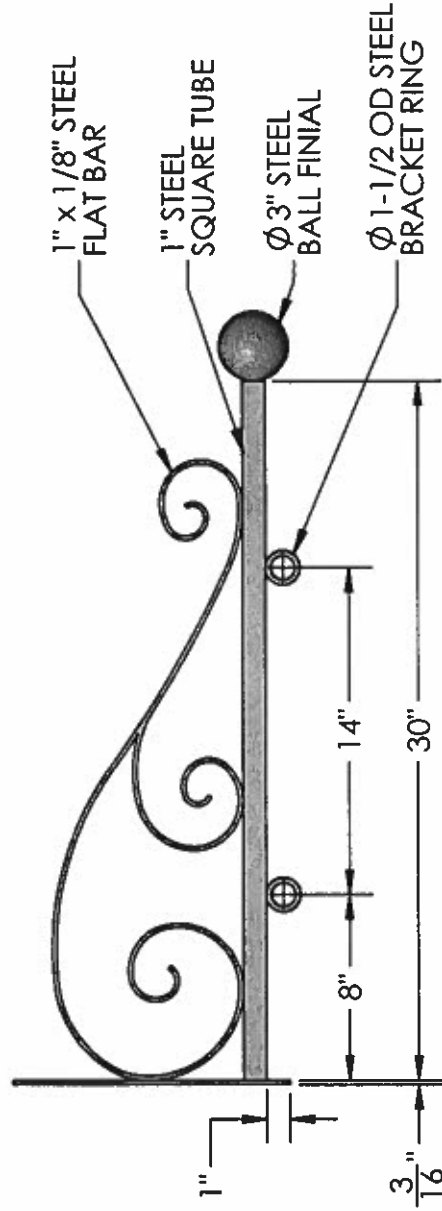
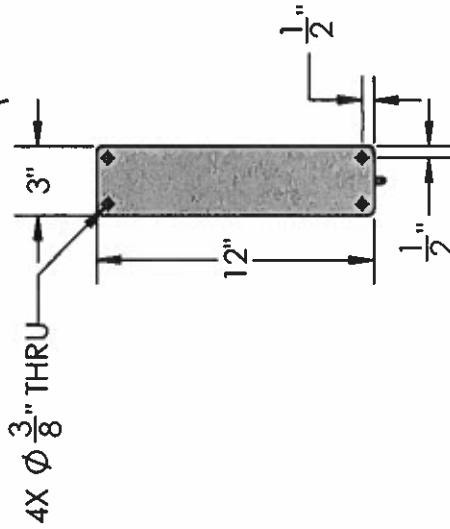
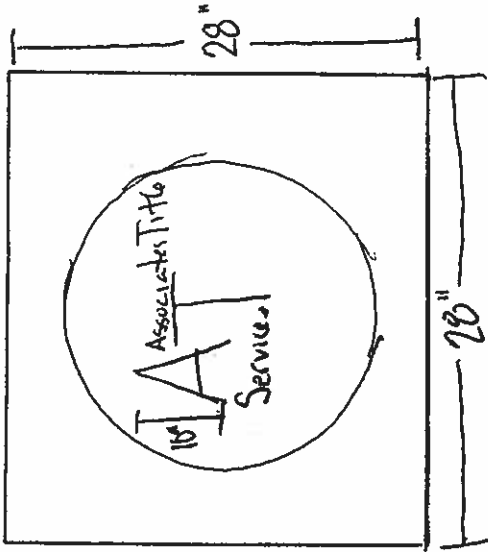
Application ___ No

Approved: ___ Yes

___ Yes, with conditions



REVISIONS		DATE	C#
REV	DESCRIPTION		
A	ORIGINAL DRAWING	5/2015	CF
B	UPDATED ARM LENGTH, 30" NOT INC BF	3/21/2016	CF



FRONT VIEW

SIDE VIEW

Design by Sign Bracket Store. All visual representations and designs are the intellectual property of Sign Bracket Store and protected under copyright law. Any duplication of this design is in direct violation of the law and will result in legal action.

© Copyright 2008-2016

Content: 30" Torino Elite Hanging Blade Sign Bracket

PN: 370B-30

Color/Finish: Textured Black Powder Coat

Customer Approval: _____

Material: Steel
 Scale: 1:8
 DB: CF
 Rev: B
 Sheet: 1 of 1



T: 888-919-7446 F: 760-603-0812