



# City of Canal Winchester

36 South High Street  
Canal Winchester, Ohio 43110  
Development Department  
Phone (614) 837-7501 Fax (614) 837-0145

## CERTIFICATE OF APPROPRIATENESS APPLICATION

rev. 09/24/2013

### PROPERTY OWNER

Name Gregory + Deborah John  
Address 92 E. Waterloo St, Canal Winchester, OH 43110  
Daytime Phone 614-746-1431 Email greg.john47@hotmail.com  
*Mobile*

### APPLICANT

Name Gregory + Deborah John  
Address 92 E Waterloo St, Canal Winchester, OH 43110  
Daytime Phone 614-746-1431 Email greg.john47@hotmail.com  
Address of Subject Property 92 E Waterloo St

Description of Proposed Changes/Modifications Replace siding, frame & roof on existing 8x10 shed. Move window to south side (currently on North Side) & enlarge door opening.

Your Application Must Include the Following, as Applicable:

- |                 |  |                  |
|-----------------|--|------------------|
| Scaled drawings | Sketches   | Material Samples |
| Floor plans     | Contractor's plans                                     | Paint chips      |
| Roofing samples | Photographs (as necessary to illustrate proposed work) |                  |

I certify that the information provided with this application is correct and accurate to the best of my ability.

*Gregory John*  
Property Owner's or Authorize Agent's Signature

5/30/19  
Date

DO NOT WRITE BELOW THIS LINE

Date Received: 5/30/19  
Date of Action:    /   /     
Expiration Date:    /   /     
Tracking Number: CA - 19-022

Historic District:  Yes  No  
Preservation District:  Yes  No  
Application  No  
Approved:  Yes  
 Yes, with conditions



PRICES INCLUDE DELIVERY, INSTALLATION & SHINGLES



8x10 shed features elegant styling and a robust 2x4 construction













**5/8 x 4 x 8 Pine Plywood Siding 4" OC**  
Model Number: 1451166 | Menards® SKU: 1451166

**\$34.12** each

! Additional Packaging/Handling Charges May Apply.



**FREE Ship To Store**  
29 In-Stock at **LANCASTER**  
Get it as soon as **06/17/2019**  
[Check Another Store for Availability](#)



**Shipping & Delivery**  
Not Available Online  
Contact a store for delivery options

Description & Documents

This siding features a rough sawn face with 4" on center groove pattern.

**Dimensions:** 4 x 8

**Shipping Dimensions:** 96.0 H x 48.0 W x 0.59 D

**Shipping Weight:** 55.0 lbs

**Features**

- Rough-sawn textured face for rustic appearance
- Shiplapped edge for a seamless joint
- Attractive 4" on center groove pattern
- Exterior grade panel for long-term exposure to weather

Specifications

Nominal Thickness	5/8	Listing Agency Standards	PS 1, APA PRP 108
Nominal Width	48	Nominal Length	96
Coverage	32 square foot	Color/Finish	Unfinished
Material	Pine	Siding Surface Design	Textured Grooved

**Please Note:** Prices, promotions, styles and availability may vary by store and online. Inventory is sold and received continuously throughout the day; therefore, the quantity shown may not be available when you get to the store. This inventory may include a store display unit. Online orders and products purchased in-store qualify for rebate redemption. Mail-in Rebate is in the form of merchandise credit check, valid in-store only. Merchandise credit check is not valid toward purchases made on MENARDS.COM®. By submitting this rebate form, you agree to resolve any disputes related to rebate redemption by binding arbitration and you waive any right to file or participate in a class action. Terms and conditions available at [www.rebateinternational.com](http://www.rebateinternational.com)



# POST-FRAME BUILDINGS



Commercial Suburban Agricultural

**BRITE WHITE**

**WHITE**

**PRAIRIEWHEAT**

**LIGHT STONE**



**PINEWOOD**

**BEIGE**

**TAN**

**CHOCOLATE**



**BRONZE**

**BURNISHED SLATE**

**BROWN**

**BLACK**



**ASH GRAY**

**LIGHT GRAY**

**CHARCOAL GRAY**

**MIDNIGHT GRAY**



**BRITE RED**

**RED**

**COLONIAL RED**

**BURGUNDY**

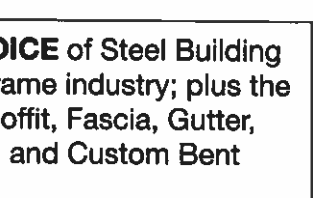


**SAGE**

**EMERALD GREEN**

**SLATE BLUE**

**OCEAN BLUE**



**MENARDS**

offers the **BEST CHOICE** of Steel Building Panels for the post frame industry; plus the largest selection of Soffit, Fascia, Gutter, Vents, Trim, Trim Coil and Custom Bent Trim.

**Note:** Color Chips show approximate tone. Color of actual product may vary. Final color approval should be made with actual material. Samples are available at [www.menards.com](http://www.menards.com)

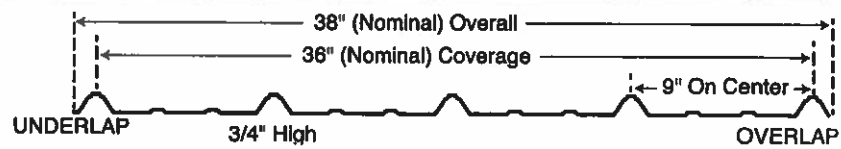
**\*COPPER COLORED**  
\*Only Available in Premium Products



# Three Great Steel Panels



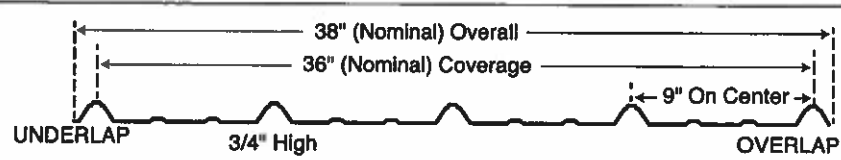
## PRO-RIB®



Pro-Rib® is the leading steel panel in the post frame industry offered at competitive prices and is comparable with nearly all of the standard panels on the market today. Pro-Rib® is also increasing its usage in the residential and light commercial markets.

29 Gauge Panel  
 Actual .0142" minimum thickness before painting  
 .0165" nominal thickness after painting  
 G-60 Galvanized Coating plus Zinc Phosphate  
 Limited 40-Year Paint Warranty

## PREMIUM PRO-RIB®

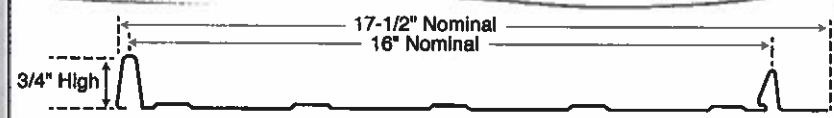


Premium Pro-Rib® is one of the most versatile members of the Pro-Rib® family of quality products. It is truly a premium wall and roof panel whose applications span a tremendous variety of residential, commercial and industrial construction projects. The superior performance of the **Premium Paint System** sets this panel apart from the crowd.

28 Gauge Panel  
 Actual .0157" minimum thickness before painting  
 .018" nominal thickness after painting  
 G-100 Galvanized Coating plus Zinc Phosphate  
 Limited Lifetime Paint Warranty

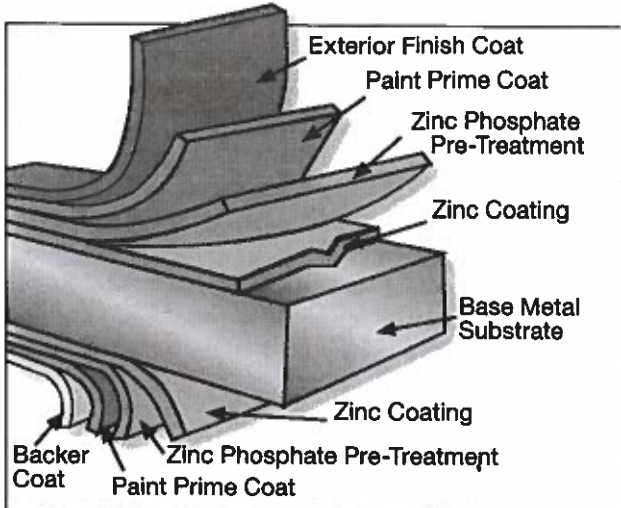
## PREMIUM PRO-SNAP®

### Hidden Fastener Panel



Premium Pro-Snap® is an excellent choice for your residential or light commercial applications. Premium Pro-Snap® is an economical, snap-together, concealed fastener roofing panel. Premium Pro-Snap® offers ease of installation, longevity, energy savings and exceptional durability. The superior performance of the **Premium Paint System** sets this steel roofing panel apart from the crowd.

28 Gauge Panel  
 Actual .0157" minimum thickness before painting  
 .018" nominal thickness after painting  
 G-100 Galvanized Coating plus Zinc Phosphate  
 Limited Lifetime Paint Warranty



- Available in 24 Panel Colors**  
Plus Copper Colored in Lifetime Products
- Trim Available in All Colors**
- Zinc Phosphate Pre-Treatment**
- Coil Coating "Paint" Process ASTM-A755**
- Structural Strength ASTM-A653**
- Grade 80 (Full Hard Steel)**
- 100,000 p.s.i. nom. Tensile Strength**
- UL 2218 Class 4 Hail Resistance**
- UL 790 Class A Fire Resistance**
- UL 580 Class 90 Wind Uplift**

For complete details on Underwriters Laboratory Product Certifications see [www.ul.com](http://www.ul.com)

Complete the look with our full line of trim & accessories at [www.midwestmanufacturing.com](http://www.midwestmanufacturing.com)