



City of Canal Winchester

36 South High Street
Canal Winchester, Ohio 43110
Development Department
Phone (614) 837-7501 Fax (614) 837-0145

CERTIFICATE OF APPROPRIATENESS APPLICATION

rev. 09/24/2013

PROPERTY OWNER

Name Curtis Tan Norris

Address 101 East Columbus St. Canal Win.

Daytime Phone 614-745-7703 Email curtisnorris101@gmail.com

APPLICANT

Name Curtis Tan Norris

Address 101 East Columbus St.

Daytime Phone 614-745-7703 Email curtisnorris101@gmail.com

Address of Subject Property 101 East Columbus St. Canal Win.

Description of Proposed Changes/Modifications Wood Deck at rear of house not visible from st.

Your Application Must Include the Following, as Applicable:

~~Scaled drawings~~
Floor plans
Roofing samples

~~Sketches~~
Contractor's plans
Photographs (as necessary to illustrate proposed work)

Material Samples
Paint chips

I certify that the information provided with this application is correct and accurate to the best of my ability.

Curtis Tan Norris
Property Owner's or Authorize Agent's Signature

10-1-18
Date

DO NOT WRITE BELOW THIS LINE

Date Received: 10/8/18

Date of Action: / /

Expiration Date: / /

Tracking Number: CA - 18-034

Historic District: Yes No

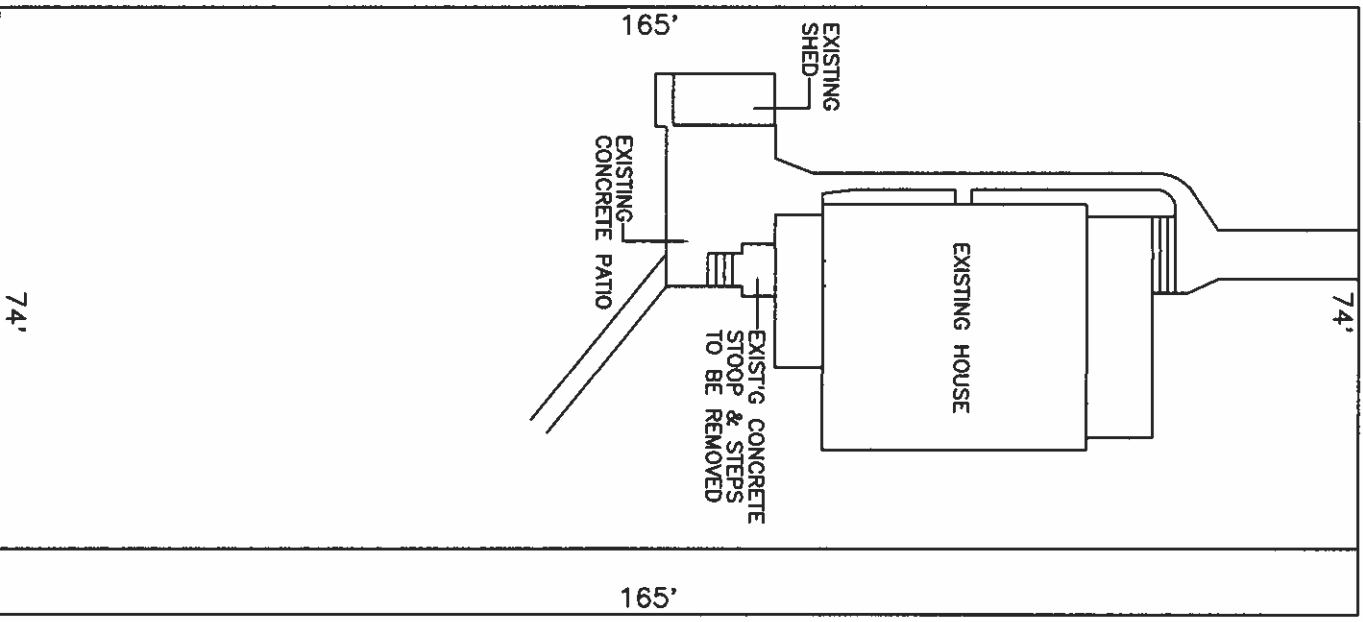
Preservation District: Yes No

Application No

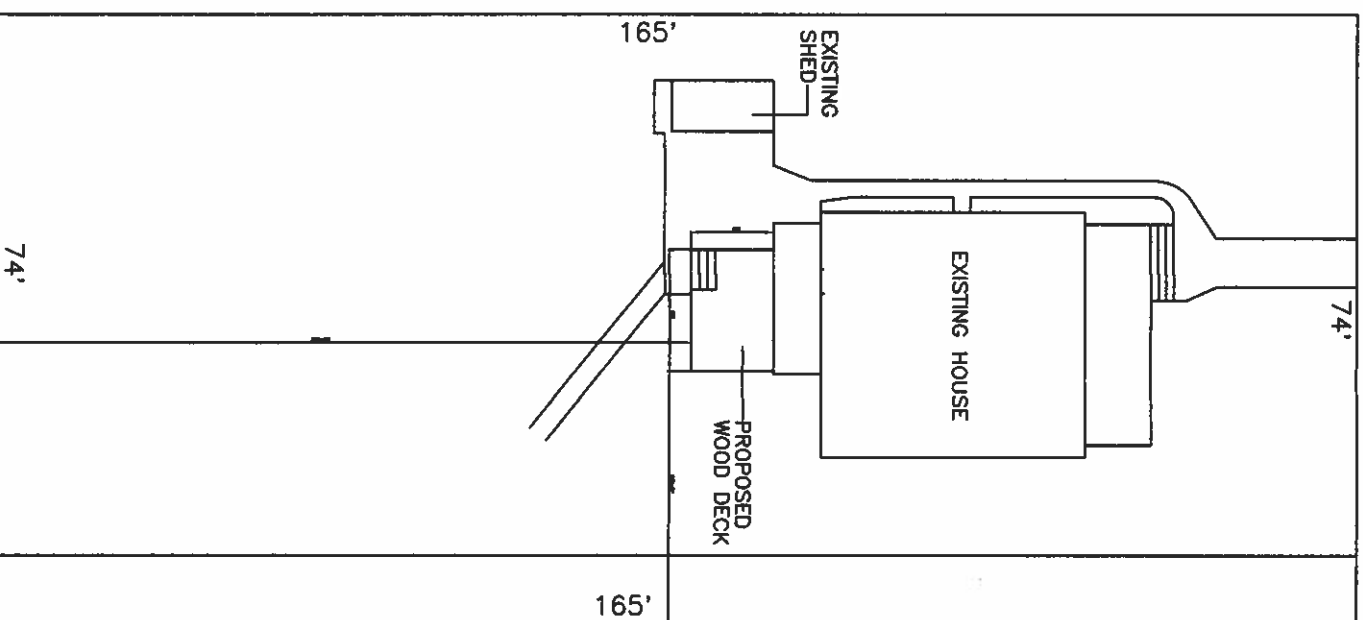
Approved: Yes

Yes, with conditions

E. COLUMBUS ST.



E. COLUMBUS ST.



DRAWING INDEX	
SHEET	DESCRIPTION
1	SITE PLAN
2	DECK FRAMING PLAN/ELEVATIONS
3	SECTION

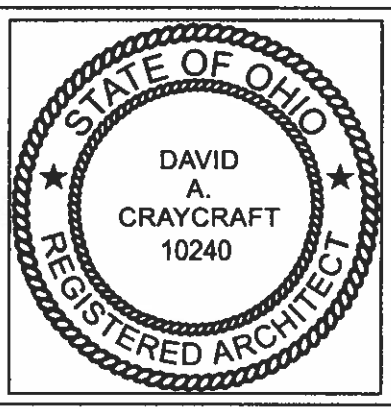
CLIMATIC AND GEOGRAPHIC DESIGN CRITERIA
 GROUND SNOW LOAD: 20 PSF
 WIND SPEED: 90 MPH
 SEISMIC DESIGN CATEGORY: A
 WEATHERING: SEVERE
 FROST LINE DEPTH: 32"
 TERMITTE AREA: MODERATE-HEAVY
 FEMA FLOOD ZONE: ZONE AE (HIGH RISK)

SCOPE OF WORK
 AN EXISTING CONCRETE STOOP AND STEPS WILL BE REMOVED AND A NEW WOOD DECK WITH STEPS WILL BE CONSTRUCTED.

DAVE CRAYCRAFT, ARCHITECT, LLC
 GOBUCKS627@GMAIL.COM
 Cell (614) 282-6247

USE OF THESE DRAWINGS IS LIMITED TO THE PROJECT NOTED. THESE DRAWINGS ARE NOT TO BE SUBMITTED FOR PERMIT WITHOUT THE ARCHITECT'S SEAL. THIS DRAWING AND THIS DESIGN ARE THE PROPERTY OF DAVE CRAYCRAFT, ARCHITECT, LLC. AND CANNOT BE ALTERED OR REPRODUCED. AND CANNOT BE ALTERED OR REPRODUCED.

REVISIONS	DATE



NORRIS
WOOD DECK
 101 E COLUMBUS ST
 CANAL WINCHESTER
 OHIO 43110

SCALE
 DATE 10/08/2018
 DRAWN BY DAC
 SHEET NO. 1 of 3

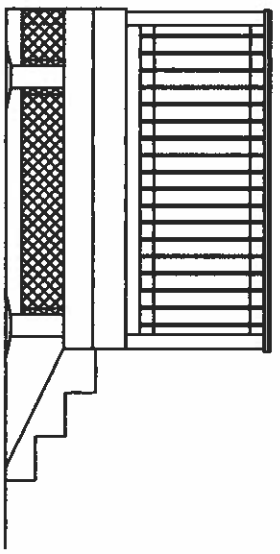
EXISTING SITE PLAN



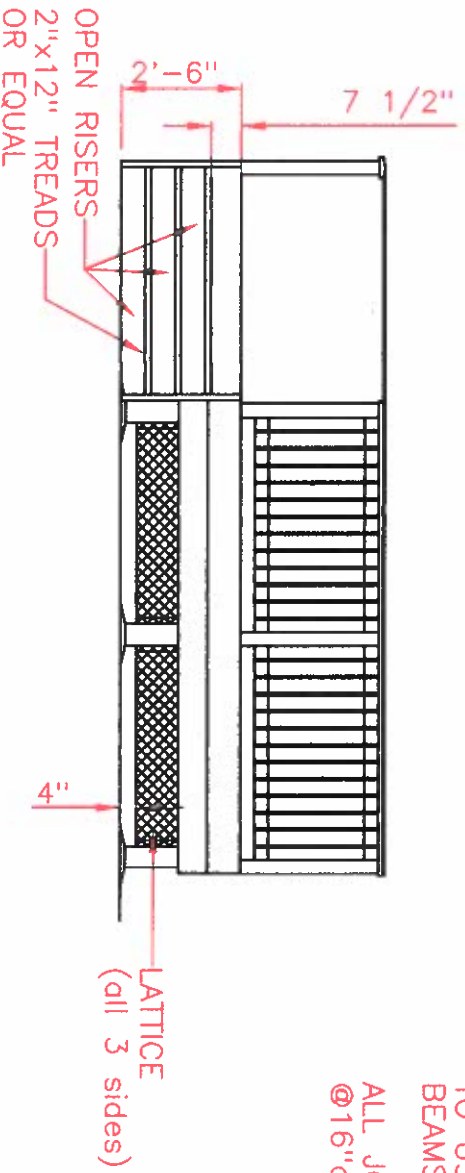
PROPOSED SITE PLAN



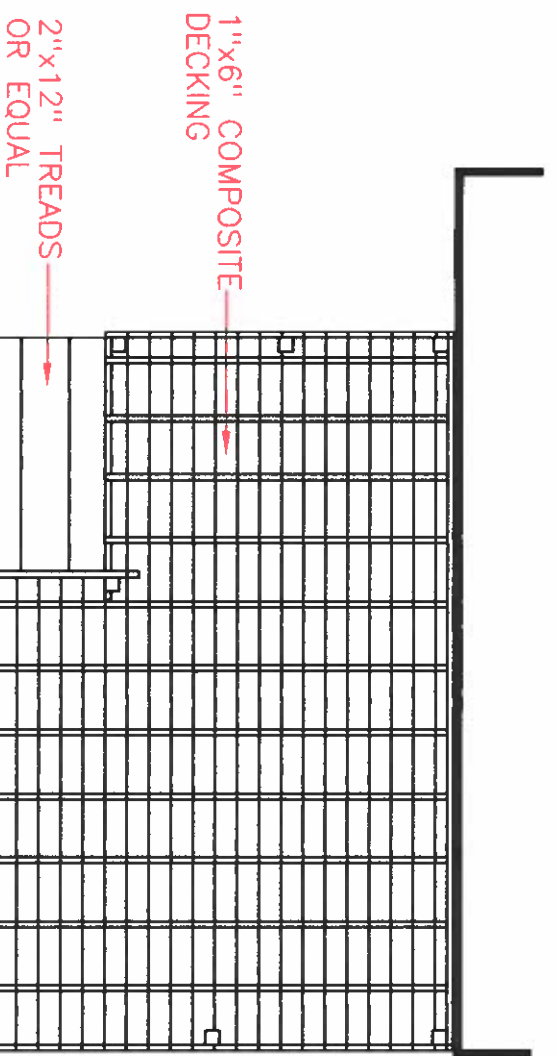
- NOTES:**
1. DESIGN LOAD=40 PSF
 2. ALL WOOD SHALL BE PRESSURE TREATED, SOUTHERN YELLOW PINE
 3. ALL NAILS, HANGERS AND BOLTS SHALL BE GALVANIZED. ALL SCREWS SHALL BE EXTERIOR GRADE.



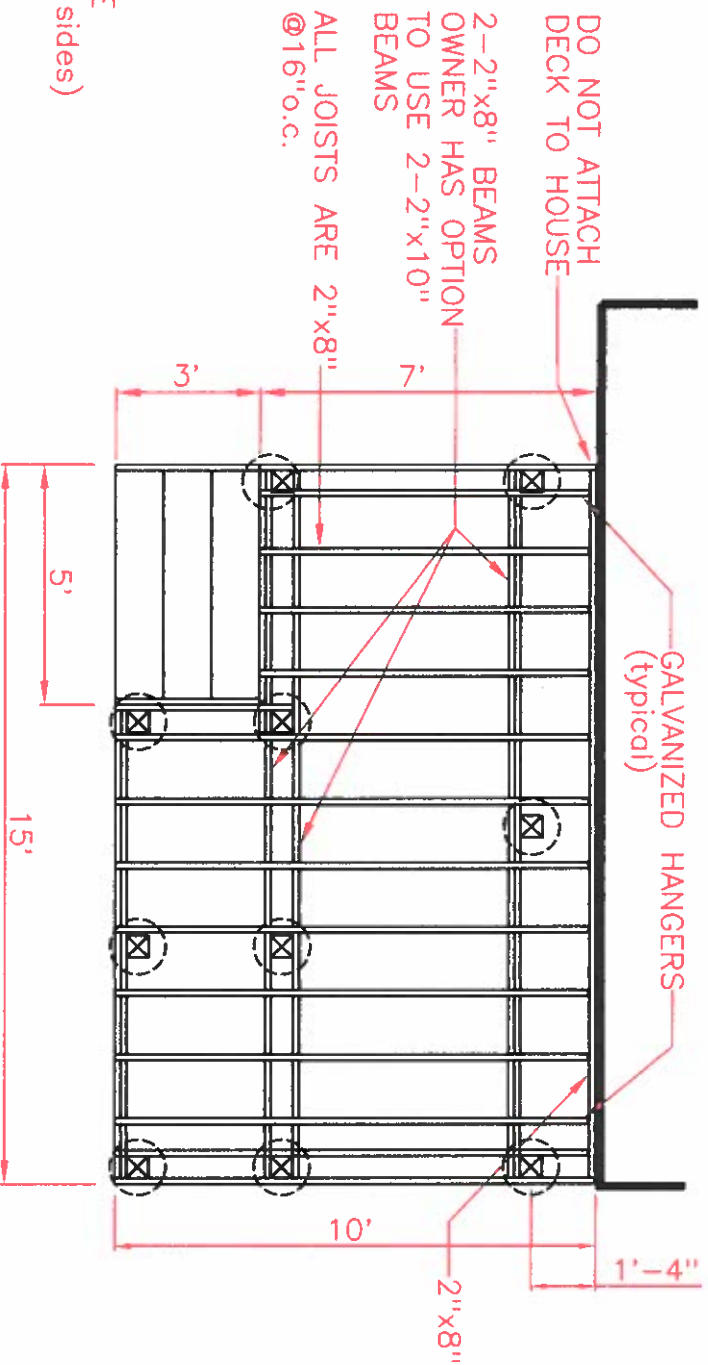
WEST ELEVATION
1/4"=1'-0"



SOUTH ELEVATION
1/4"=1'-0"



DECK PLAN
1/4"=1'-0"

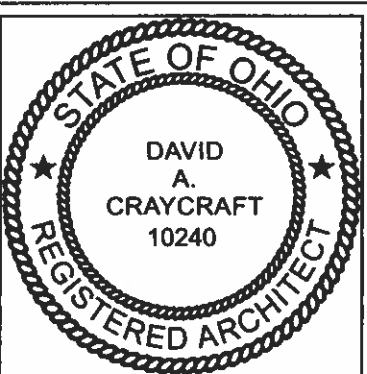


DECK FRAMING PLAN
1/4"=1'-0"

DAVE CRAYCRAFT, ARCHITECT, LLC
GOBUCKS627@GMAIL.COM
Cell (614) 282-6247

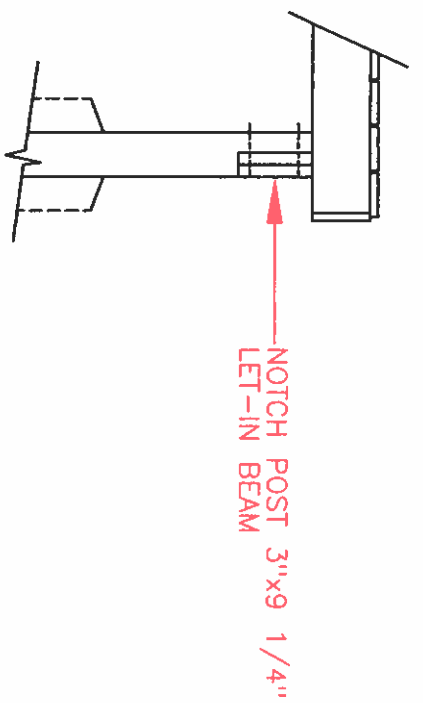
USE OF THESE DRAWINGS IS LIMITED TO THE PROJECT NOTED. THESE DRAWINGS ARE NOT TO BE SUBMITTED FOR PERMIT WITHOUT THE ARCHITECT'S SEAL. THIS DRAWING AND THIS DESIGN ARE THE PROPERTY OF DAVE CRAYCRAFT, ARCHITECT,LLC. AND CANNOT BE ALTERED OR REPRODUCED. AND CANNOT BE ALTERED OR REPRODUCED.

REVISIONS	DATE

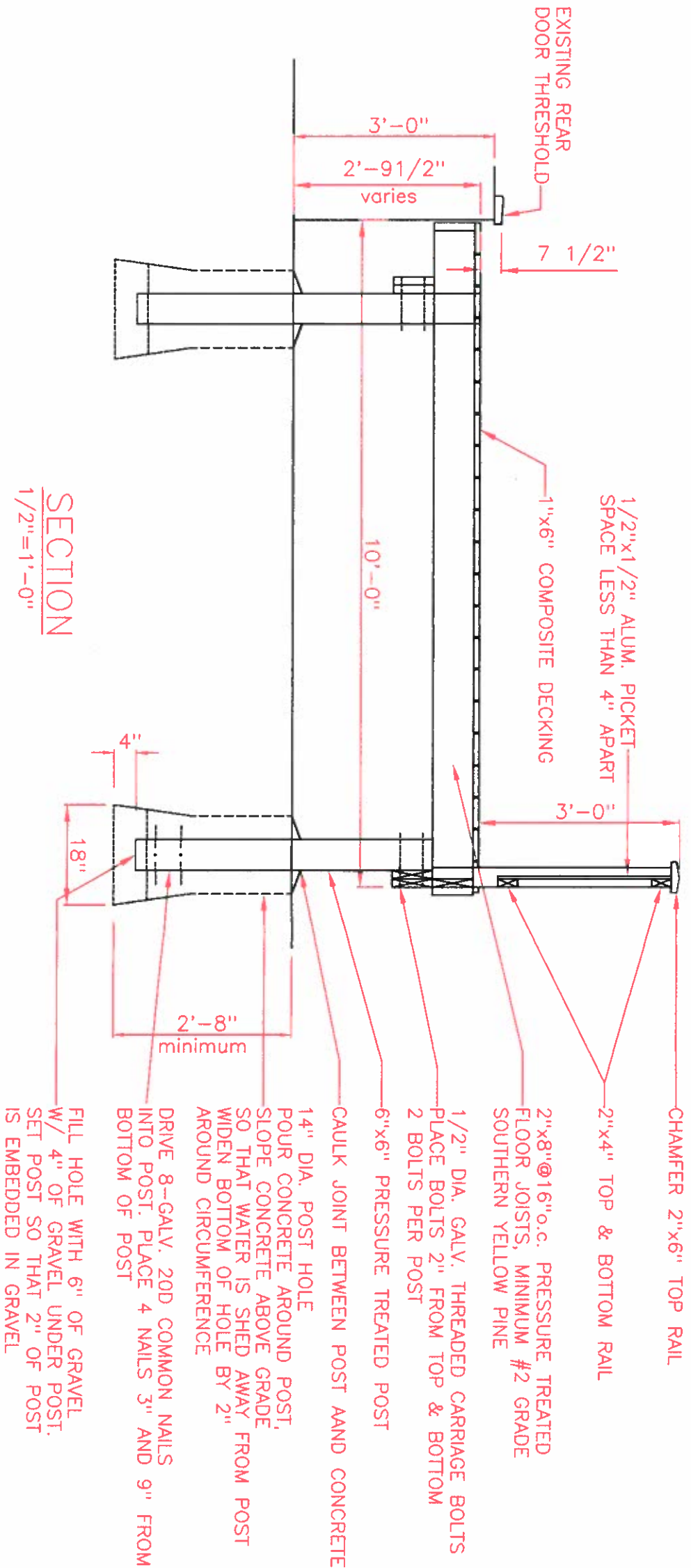


NORRIS
WOOD DECK
101 E COLUMBUS ST
CANAL WINCHESTER
OHIO 43110

SCALE 1/4"=1'-0"
DATE 10/08/2018
DRAWN BY DAC
SHEET NO. 2 of 3



**ALTERNATE METHOD TO CONNECT
BEAM TO POST**
1/2"=1'-0"

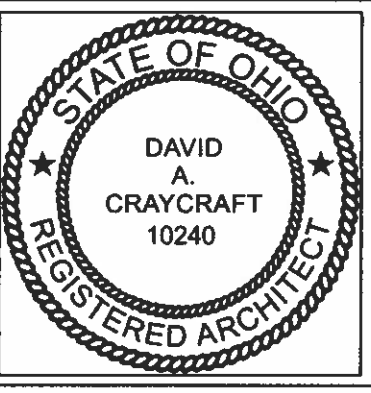


SECTION
1/2"=1'-0"

DAVE CRAYCRAFT, ARCHITECT, LLC
GOBUCKS627@GMAIL.COM
Cell (614) 282-6247

USE OF THESE DRAWINGS IS LIMITED TO THE PROJECT NOTED. THESE DRAWINGS ARE NOT TO BE SUBMITTED FOR PERMIT WITHOUT THE ARCHITECT'S SEAL. THIS DRAWING AND THIS DESIGN ARE THE PROPERTY OF DAVE CRAYCRAFT, ARCHITECT,LLC. AND CANNOT BE ALTERED OR REPRODUCED. AND CANNOT BE ALTERED OR REPRODUCED.

REVISIONS	DATE



NORRIS
WOOD DECK
101 E COLUMBUS ST
CANAL WINCHESTER
OHIO 43110

SCALE 1/2"=1'-0"
DATE 10/08/2018
DRAWN BY DAC
SHEET NO. 3 of 3